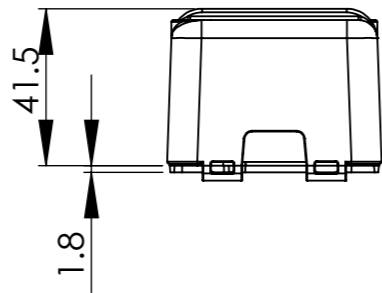
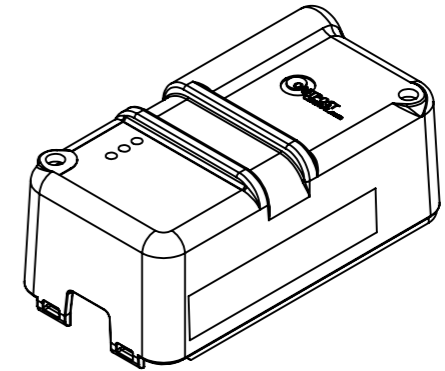
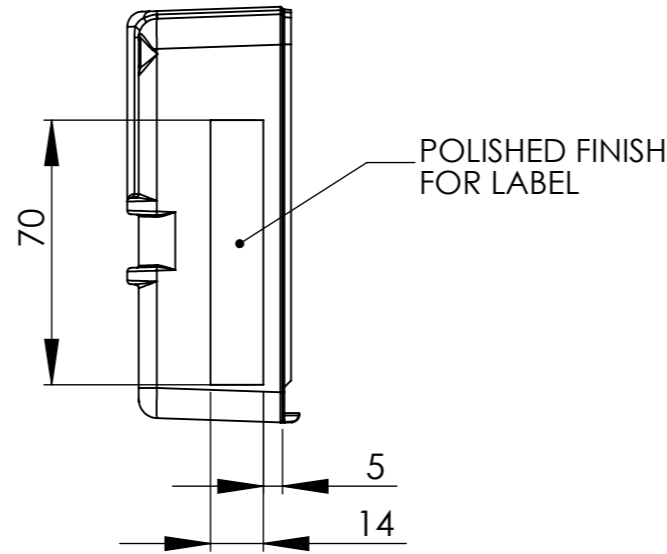
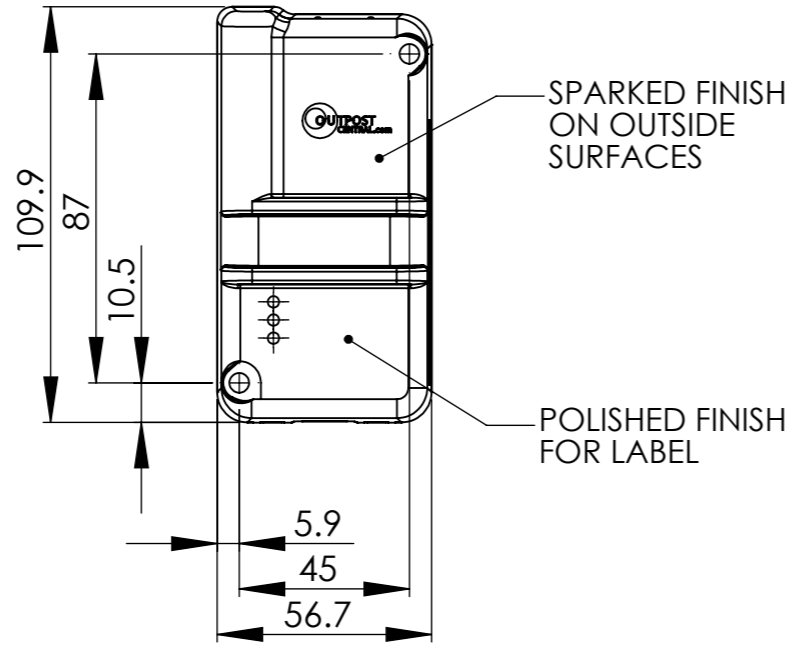
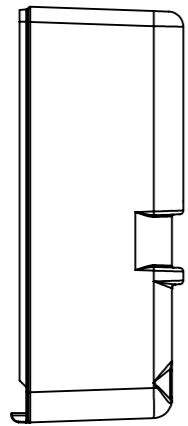
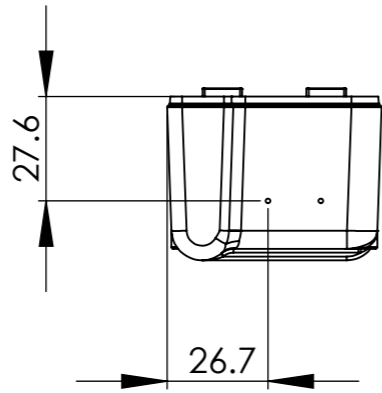


REVISIONS			
REV.	DESCRIPTION	DATE	INITIAL
A	RELEASED FOR QUOTE	06/03/14	M.C



UNLESS OTHERWISE SPECIFIED: DIMENSIONS ARE IN MILLIMETERS		FINISH: SPARKED OUTSIDE / POLISHED INSIDE		DEBUR AND BREAK SHARP EDGES		DO NOT SCALE DRAWING		REVISION A	
TOLERANCES: X ± 0.1 X.X ± 0.1 X.XX ± 0.01				COUNTER-SINK ALL HOLES 0.5x45° UNLESS OTHERWISE SPECIFIED		OUTPOST CENTRAL.com			
DRAWN M. Carter		SIGNATURE		DATE 06/03/14		TITLE: WASP CASER UPPER			
CHK'D									
APPV'D									
MFG									
Q.A				MATERIAL: ABS V0, UV STABLE, GREY		DWG NO. WASP2 CASE UPPER-2		A3	
				WEIGHT: 54.22		SCALE: 1:2		SHEET 1 OF 1	